

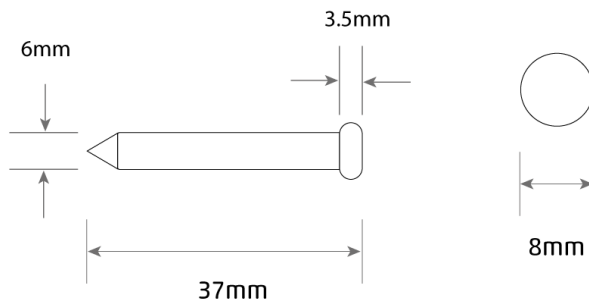
# SERITAG

## 8mm NFC Nail Tag ICODE SLIX

A tough ABS plastic NFC nail tag with fully integrated NFC chip. This nail uses NXP's ICODE SLIX chip which is ideal for smaller antennas and has a useful 50 year lifespan. Measuring 37mm long, with a 6mm body and an 8mm diameter head. Waterproof.

Designed for direct application into wood, such as doors, trees or furniture. This nail tag is typically used for asset management, for example fire door compliance.

Seritag typically stock this product in small quantities for testing and development. Available in larger quantities as a special order.



\*not to scale  
dimensions in mm

# ST977



### Overview

#### Category

Industrial

#### NFC Chip

ICODE SLIX

#### Seritag ScanStrength

6mm - 10mm

#### Stock Status

Stock Item

#### Seritag Part No.

ST977

### Seritag Options

#### Encoding

Full Service

#### ID Print

Not Available

#### QR Print

Not Available

#### UID Scan

Available

#### Colour Print

Not Available

### Technical Information

NFC Chip	NXP ICODE SLIX
Delivery Format	Single Units
Construction Material	ABS
Memory / User Memory	144 Bytes
Frequency / Standards	13.56 Mhz / NFC Forum Type 2 / ISO 14443
IP Rating	IP68 (Dust/waterproof)
Country of Origin / Commodity Code	China / 8523 52 0000
Data Retention	50 years
Operating Temperature	-15C to 55C
Bending Diameter	0mm
Water Rating	Waterproof

#### For further information or advice on your NFC project:

Seritag, 20 Mortlake High Street, London SW14 8JN United Kingdom  
+44 (0) 20 3773 2791 - mail@seritag.com - seritag.com