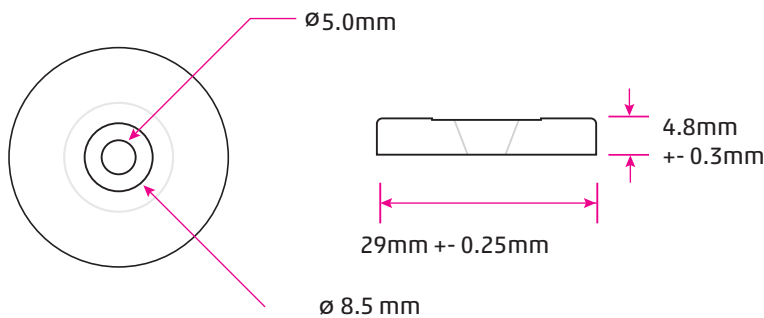


Warehouse Tag NTAG213

A strong waterproof 29mm ABS disc tag with integrated on-metal barrier material for use on both metal and non-metal surfaces.

Includes 3M backing adhesive and a central hole for both screw fix or peel and stick application. A popular tag for healthcare and security round management or location tagging for asset control. Includes the reliable NTAG213 NFC chip.

Tag diameter is 29mm. 4.8mm thick with a 5mm central hole.



*not to scale
dimensions in mm

Overview

Category

Disc Tags

Chip Type

NXP NTAG213

Seritag Real ScanStrength

31mm-40mm

Tag Dimensions

29mm Diameter / 4.8mm Thick

Seritag Part No.

ST788

Seritag Options

Encoding 5,000 per day

ID Print Custom order

UID Scan Yes

Technical Information

NFC Chip	NXP NTAG213
Memory / User Memory / Max URL Length	180 Byte / 144 Byte / 136 Characters
Frequency / Standards	13.56 Mhz / NFC Forum Type 2 / ISO 14443 A
Antenna Type	Copper Coil
Optional Adhesive (Supplied as separate discs)	3M™ 9080 Permanent
Operating Temperature	-10C to 50C
Delivery Format	Loose in bags
Water/Dust Resistance	IP68
Construction Material	ABS
Compliance	RoHS

For further information, please contact us:

Seritag, 20 Mortlake High Street, London SW14 8JN United Kingdom
Tel: +44 (0) 20 3773 2791 Email: mail@seritag.com Website: seritag.com