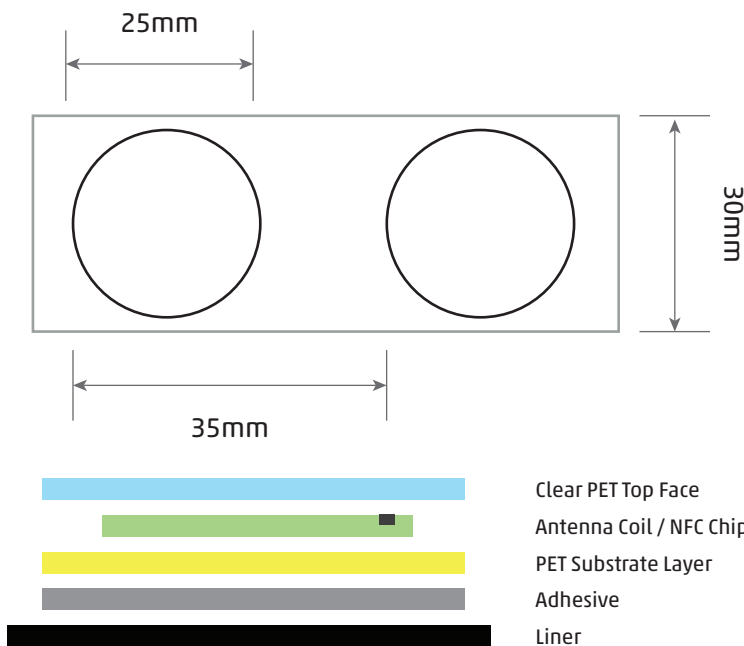


SERITAG

25mm Clear NTAG213

An all round sticker tag which can be used for a wide variety of NFC tagging use cases. Thin construction makes it suitable for lamination.

Excellent antenna design and strict performance controls mean this tag has a strong scan distance. The industry standard NTAG213 NFC chip provides a full feature set and more than enough memory for the majority of applications.



*not to scale
dimensions in mm

DATASHEET



Overview

Category

Clear NFC Tags

Chip Type

NXP NTAG213

Seritag ScanStrength

7

Tag Dimensions

25mm Round / 0.12mm Thick

Seritag Part No.

ST742

Options

Encoding Yes

ID/QR Print No

UID Scan Yes

Full Colour No

Technical Information

NFC Chip / User Memory	NXP NTAG213 / 144 Bytes
Frequency / Standard	13.56 Mhz / NFC Forum Type 2 / ISO 14443
Antenna Size / Format	21.5mm Etched Aluminium
Tag Size	25mm diameter round
On Metal	Not suitable for metal surfaces
Water/Weather Resistance	Water resistant / indoor, protected use only
Operating Temperature	-20C to 70C
Delivery Format	Reel or strips, depending on quantity
Adhesive / Face Material	Permanent Adhesive labels / plastic
Bending Diameter	> 35mm
Stock Status	Core product
Compliance	RoHS3 CE

For further information, please contact us:

Seritag, 20 Mortlake High Street, London SW14 8JN United Kingdom
Tel: +44 (0) 20 3773 2791 Email: mail@seritag.com Website: seritag.com

All rights reserved. Reproduction in whole or in part is prohibited without the prior written consent of the copyright owner. The information presented in this document does not form part of any quotation or contract, is believed to be accurate and reliable and may be changed without notice. No liability will be accepted by the publisher for any consequence of its use.