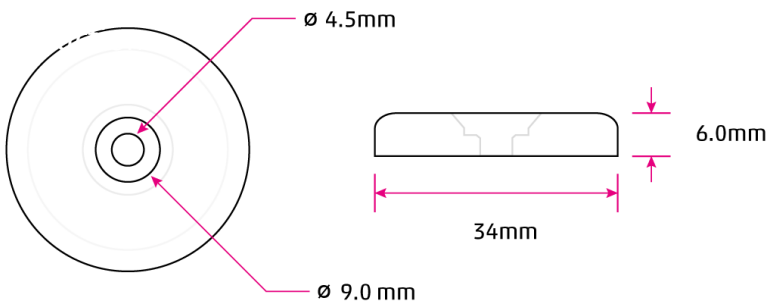


Industrial Tag NTAG213

A heavy duty, durable and waterproof industrial use NFC tag designed for the toughest environments. Nylon PA6 casing with optional 3M backing adhesive. Rated IP68. Contains integrated ferrite barrier material so the tag can be used on both metal and non-metal surfaces. Copper coil antenna for long term reliability and durability in adverse temperature conditions.

This tag can be provided as special order with laser etched visual ID print, high UV resistant plastic casing and PPS casing options.



*not to scale
dimensions in mm

Overview

Category

Stock Disc Tags

NFC Chip

NTAG213

Seritag ScanStrength

31mm - 40mm

Stock Status

Stock Item

Seritag Part No.

ST714

Seritag Options

Encoding	Full Service
ID Print	Optional
QR Print	Not Available
UID Scan	Available
Colour Print	Not Available

Technical Information

NFC Chip	Genuine NXP NTAG213
Memory / User Memory	180 Byte / 144 Byte
Frequency / Standards	13.56 Mhz / NFC Forum Type 2
Antenna	Copper coil
Adhesive/ Material	3M (Optional) / PA6 Nylon
Operating Temperature	-40C to 85C
Delivery Format	Single Units (Packed in bags/boxes)
IP Rating	68
Tag Size	34mm Diameter / 6mm Thick
Metal surfaces	Suitable for both metal and non-metal surfaces
Compliance	RoHS CE UKCA

For further information or advice on your NFC project:

Seritag. 20 Mortlake High Street, London SW14 8JN United Kingdom
+44 (0) 20 3773 2791 - mail@seritag.com - seritag.com